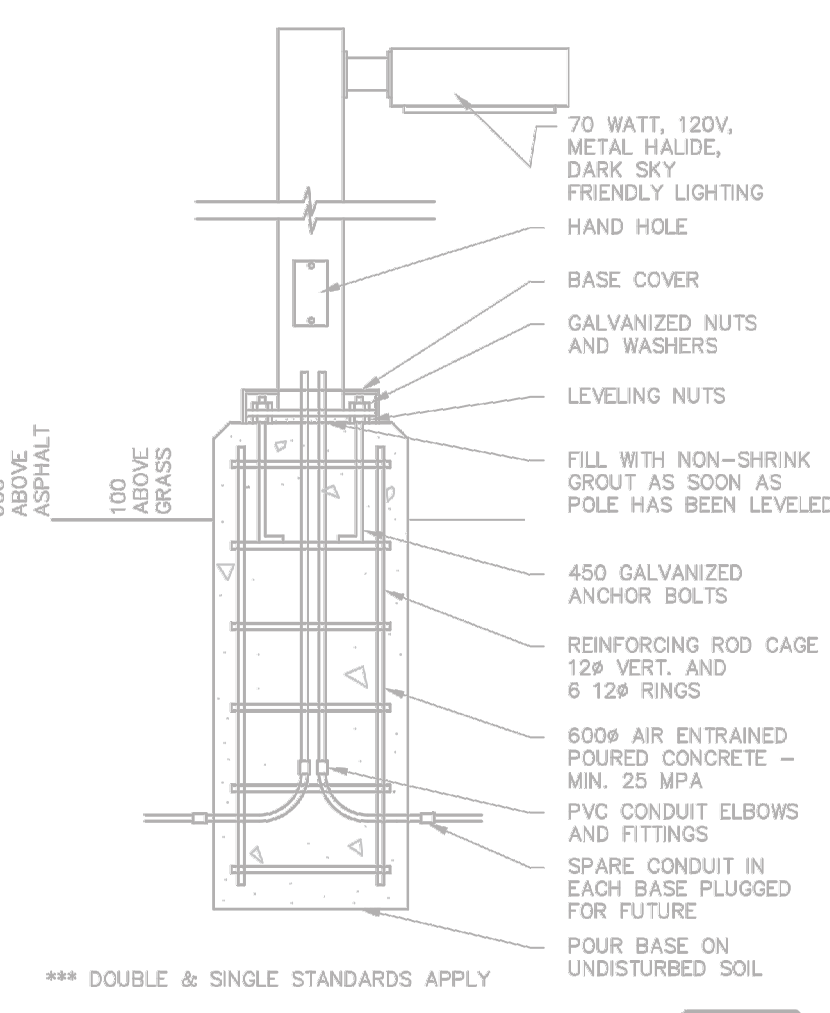


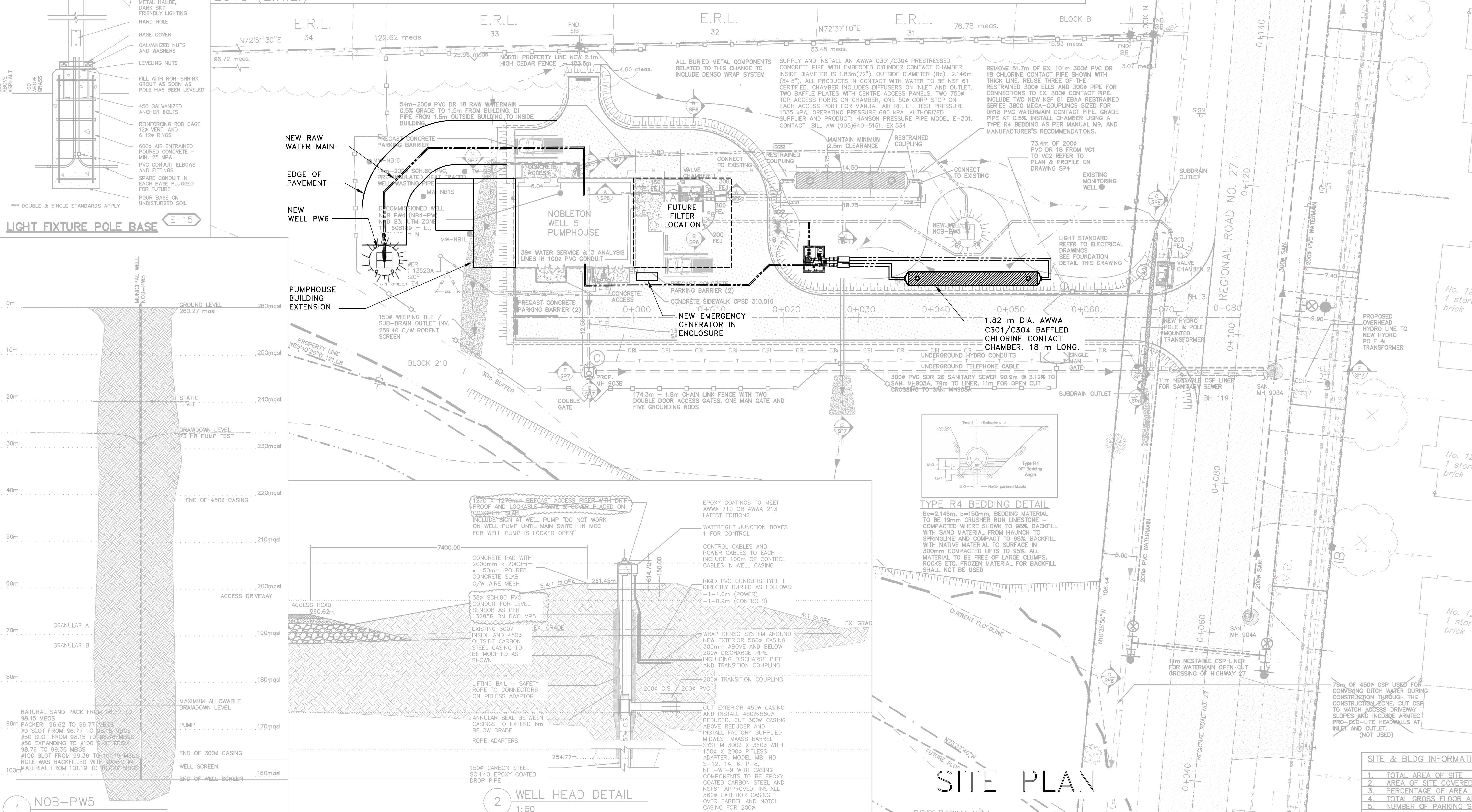
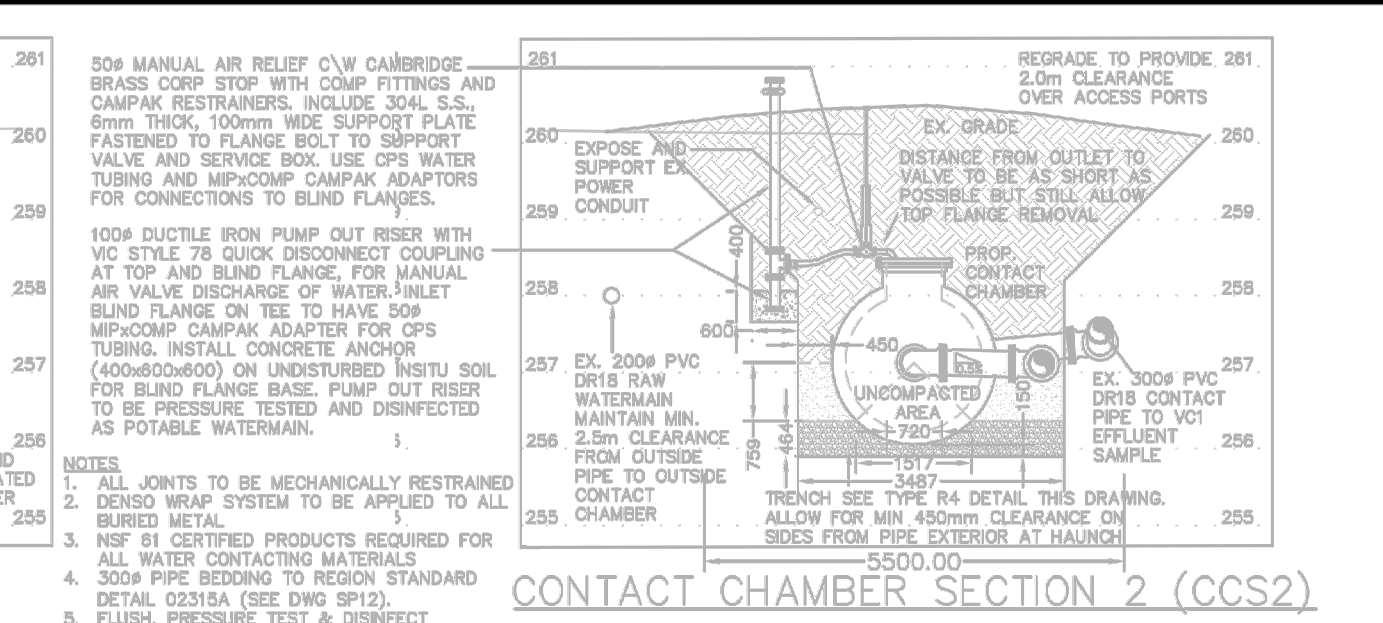
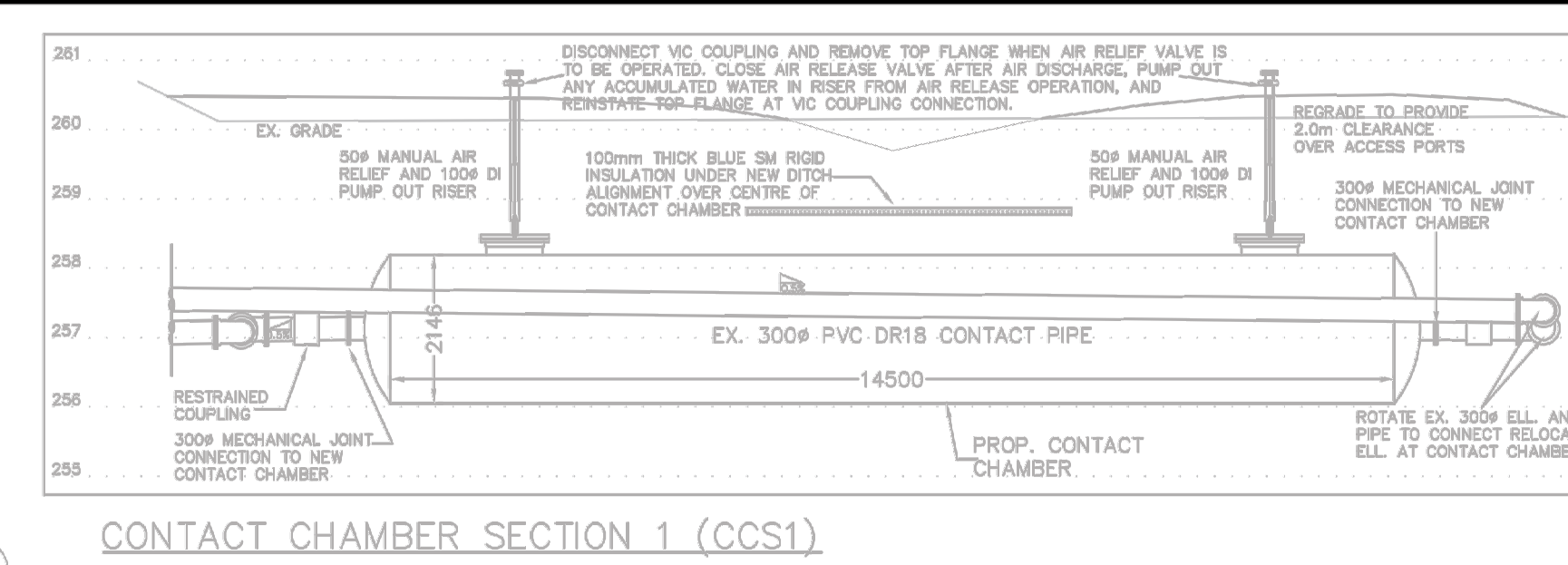
# Appendix A. Conceptual Design Drawings for Water Servicing

- (A) VALVE CHAMBER # 1  
3.0m X 2.4 m PRE-CAST VALVE CHAMBER  
SEE DWG SP6 FOR DETAILS
- (B) VALVE CHAMBER # 2  
1.8m X 2.4 m PRE-CAST VALVE  
CHAMBER SEE DWG SP6 FOR DETAILS
- (C) PROP. SAN. MH903B  
1800# SAN.MH  
N.I.V. 258.83  
E.I.N.V. 258.23

TRCA does not require a timing window for the works shown on this sheet.



EXISTING RESIDENTIAL LOTS (E.R.L.)



1 NOB-PW5  
1:400

2 WELL HEAD DETAIL  
1:50

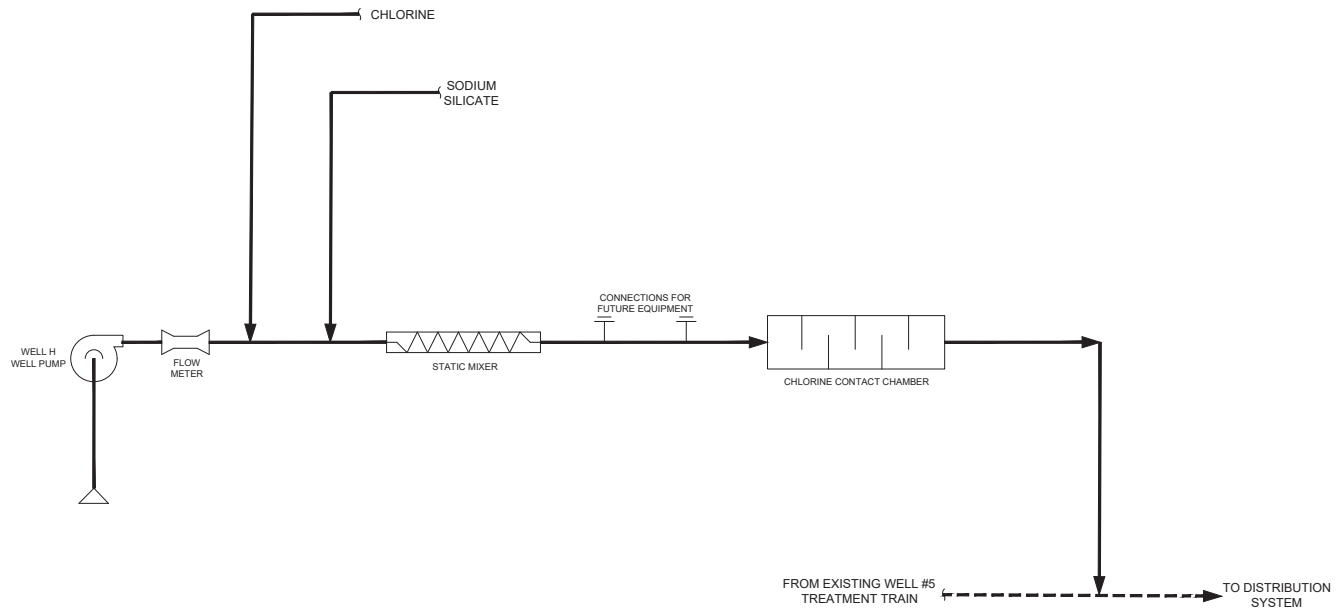
SITE & BLDG INFORMATION

ALL DIMENSIONS AND INFORMATION SHALL BE CHECKED AND VERIFIED ON THE JOB AND ANY DISCREPANCIES MUST BE REPORTED TO THE CONSULTANT BEFORE COMMENCING THE WORK. DRAWINGS ARE NOT TO BE SCALED.

THIS DRAWING AND ALL ASPECTS OF ITS CONTENT ARE PROTECTED BY COPYRIGHT. REPRODUCTION IN WHOLE OR IN PART, BY ANY MEANS WHATSOEVER, WHETHER ELECTRONIC, MECHANICAL, OR OTHERWISE, WITHOUT THE EXPRESS WRITTEN PERMISSION OF TETRA TECH INC. IS PROHIBITED BY LAW.

No.	DATE	ISSUES/REVISIONS	BY
1	18/06/21	TM4-CONCEPTUAL DESIGN	DM

DRAWN BY:	CHECKED BY:	NOBLETON SEWAGE WORKS PROJECT WATER POLLUTION CONTROL PLANT	DWG. NO. SP2
DESIGNED BY:	APPROVED BY:	GENERAL	
SCALE:	DATE:	WELL NO.5 AND TOWNSHIP OF KING SANITARY SEWER AND WATER MAIN SITE PLAN	
	JUNE 2021		



ALL DIMENSIONS AND BEARING TO SURFACE UNLESS OTHERWISE SPECIFIED ON THIS DRAWING ARE TO BE CONSIDERED AS PER THE DRAWING SCALE.

THIS DRAWING AND ALL ASPECTS OF THE CONTENTS ARE PROTECTED BY COPYRIGHT. REPRODUCTION IN WHOLE OR IN PART BY ANY MEANS, WITHOUT THE EXPRESS WRITTEN PERMISSION OF TOTTENHAM SUBSIDIARIES & ASSOCIATES IS PROHIBITED BY LAW.



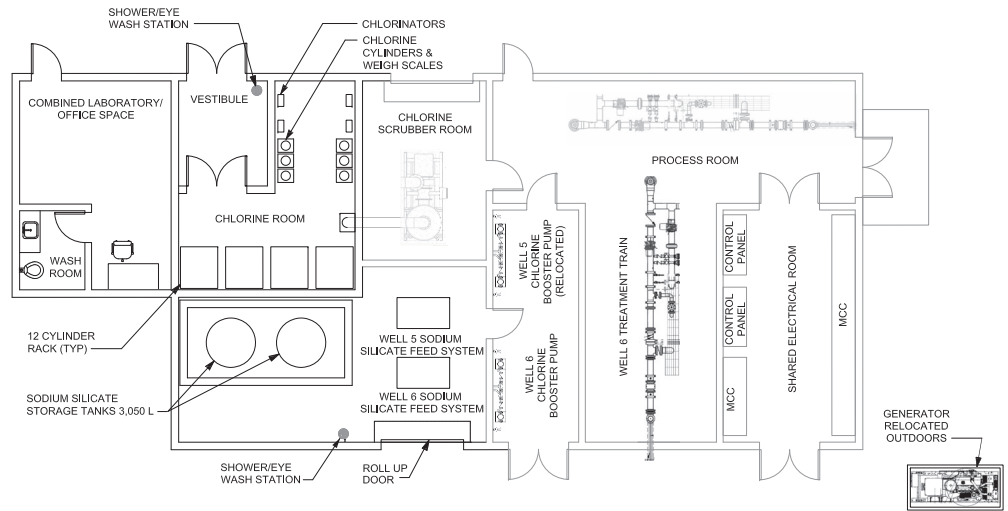
No.	DATE	ISSUES/REVISIONS	BY
1	18/08/21	TM4-CONCEPTUAL DESIGN	RS

DRAWN BY:	CHECKED BY:
DESIGNED BY:	APPROVED BY:
SCALE: 1:50	DATE: JUNE 2021

NOBLETON SEWAGE WORKS PROJECT  
WATER POLLUTION CONTROL PLANT

PROCESS  
PROCESS FLOW DIAGRAM  
NEW WELL H TREATMENT TRAIN

DWG. NO.  
P101



### EQUIPMENT PLAN

ALL DIMENSIONS AND ELEVATIONS SHALL BE CHECKED AND VERIFIED ON THE JOB AND RECORDED IN THE FIELD. THE CONTRACTOR SHALL BE RESPONSIBLE FOR THE COMPLETION OF ALL WORK AND SHALL BE RESPONSIBLE FOR THE PROTECTION OF ALL EXISTING UTILITIES AND STRUCTURES. THE CONTRACTOR SHALL BE RESPONSIBLE FOR THE PROTECTION OF ALL EXISTING UTILITIES AND STRUCTURES.

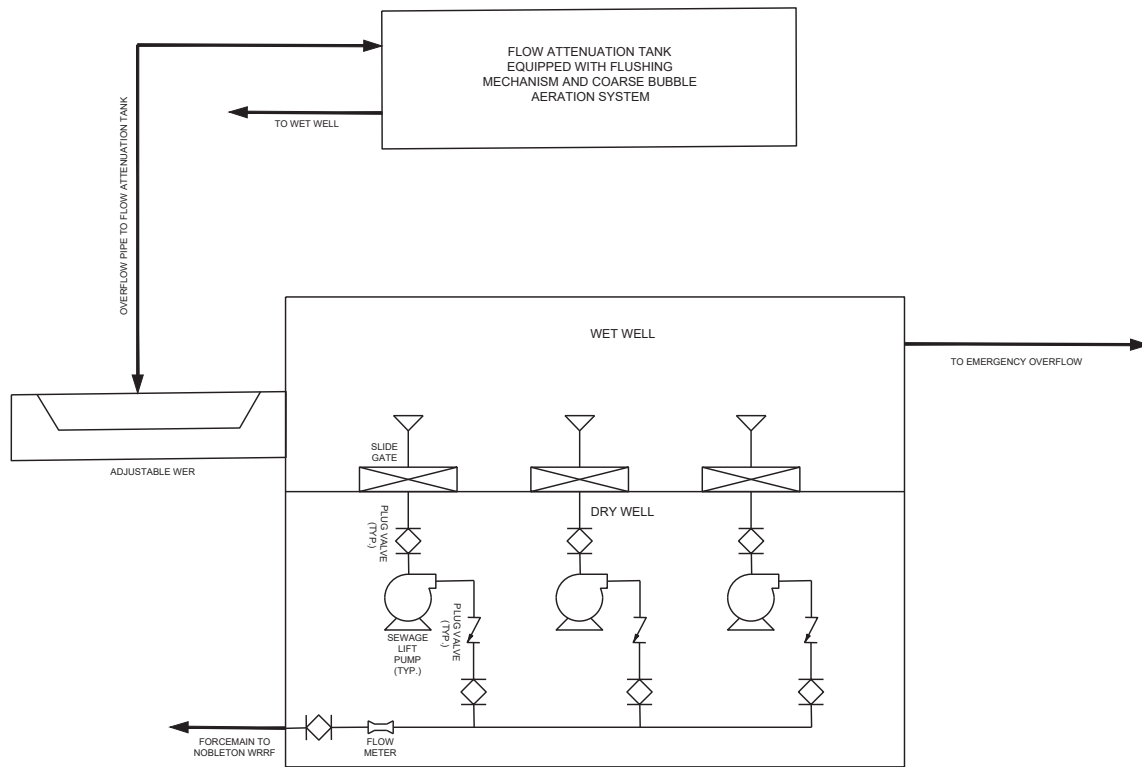


No.	DATE	ISSUES/REVISIONS	BY
1	16/06/21	TWA-CONCEPTUAL DESIGN	DW

DRAWN BY:	CHECKED BY:	NOBLETON SEWAGE WORKS PROJECT WATER POLLUTION CONTROL PLANT	DWG. NO. EP1
DESIGNED BY:	APPROVED BY:	GENERAL	
SCALE:	DATE:	WELL NO.5 AND TOWNSHIP OF KING SANITARY SEWER AND WATER EQUIPMENT PLAN	
	JUNE 2021		

# Appendix B. Conceptual Design Drawings for Wastewater Servicing





ALL DIMENSIONS AND INFORMATION SHALL BE CHECKED AND VERIFIED ON THE JOB AND ANY DISCREPANCIES MUST BE REPORTED TO THE CLIENT PRIOR TO COMMENCEMENT OF THE WORK. DIMENSIONS ARE NOT TO BE SCALE.

THIS DRAWING AND ALL ASPECTS OF ITS CONTENT ARE PROTECTED BY COPYRIGHT. REPRODUCTION IN WHOLE OR IN PART BY ANY MEANS, WITHOUT THE WRITTEN PERMISSION OF BLACK & VEATCH, IS PROHIBITED AND IS PENALIZED BY LAW.



No.	DATE	ISSUES/REVISIONS	BY
1	18/06/21	PRELIMINARY DESIGN	LDP

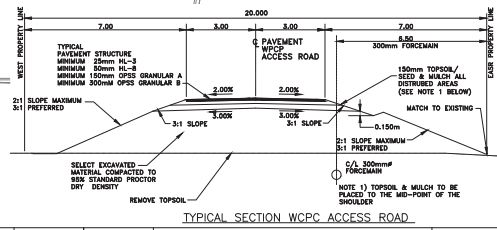
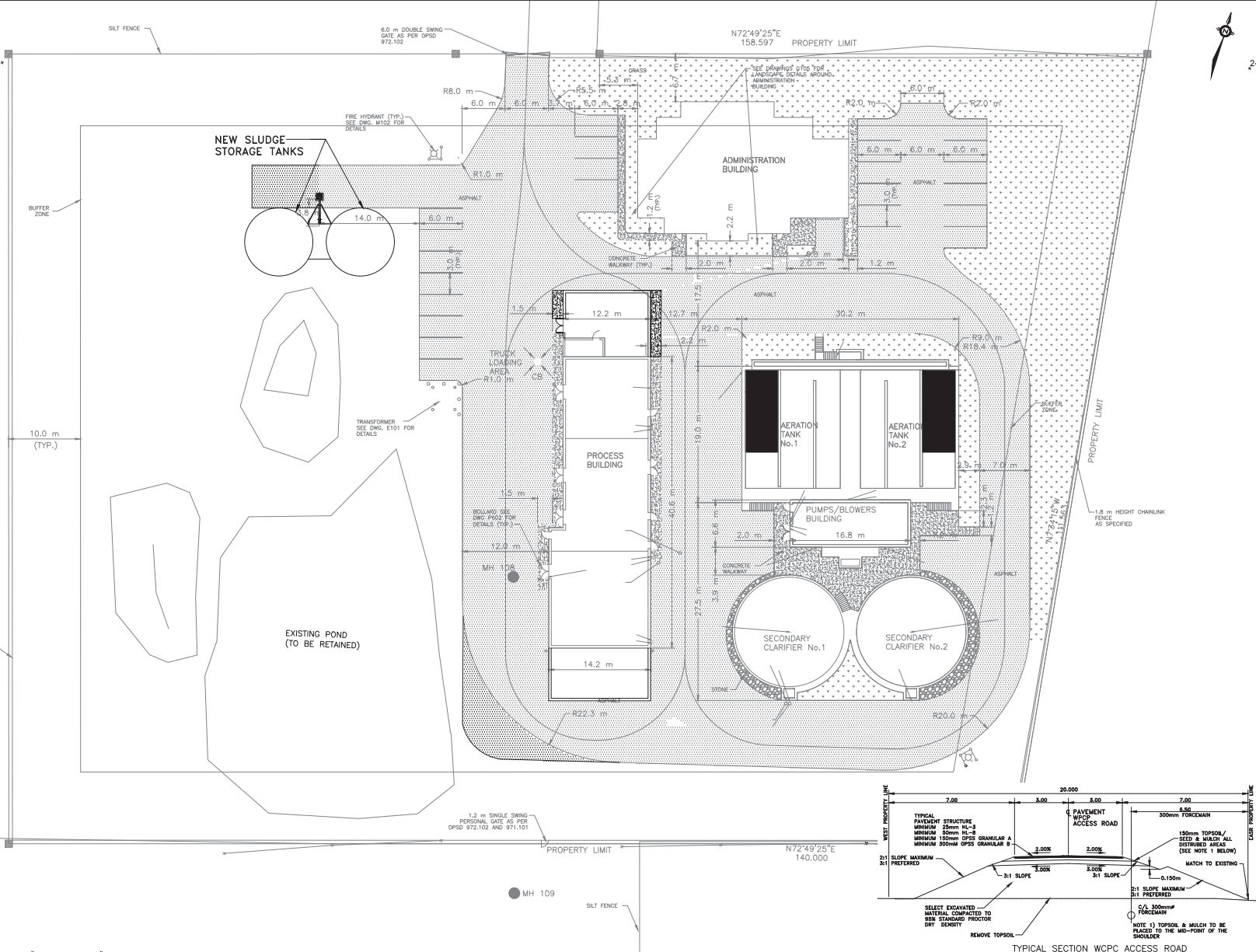
DRAWN BY:	CHECKED BY:	<b>NOBLETON SEWAGE WORKS PROJECT WATER POLLUTION CONTROL PLANT</b>  <b>PROCESS</b>  <b>PROCESS FLOW DIAGRAM</b>	DWG. NO. P101
DESIGNED BY:	APPROVED BY:		
SCALE: 1:50	DATE: JUNE 2021		

**LEGEND**

- PROPERTY LIMIT
- \*— CHAINLINK FENCE
- SILT FENCE
- STONE
- CONCRETE WALKWAY
- GRASS
- ASPHALT

**NOTES:**

- GEODESIC BENCH MARK #68-200 (R.M.Y.) EL.255.290
- DIMENSION IN METERS UNLESS OTHERWISE NOTED
- FOR YARD PIPING LAYOUT REFER TO DWG. G103
- FOR DOMESTIC COLD WATER, GAS AND SANITARY SYSTEMS REFER TO DWG. M102
- ALL MANHOLES' COVERS ON THE SITE TO BE WATERTIGHT SEALED, BOLTED AND GASKETED AS PER OPSD 401.030
- SEE LEGEND AND ABBREVIATIONS (SHEET 2) FOR GENERAL CONTRACT NOTES.



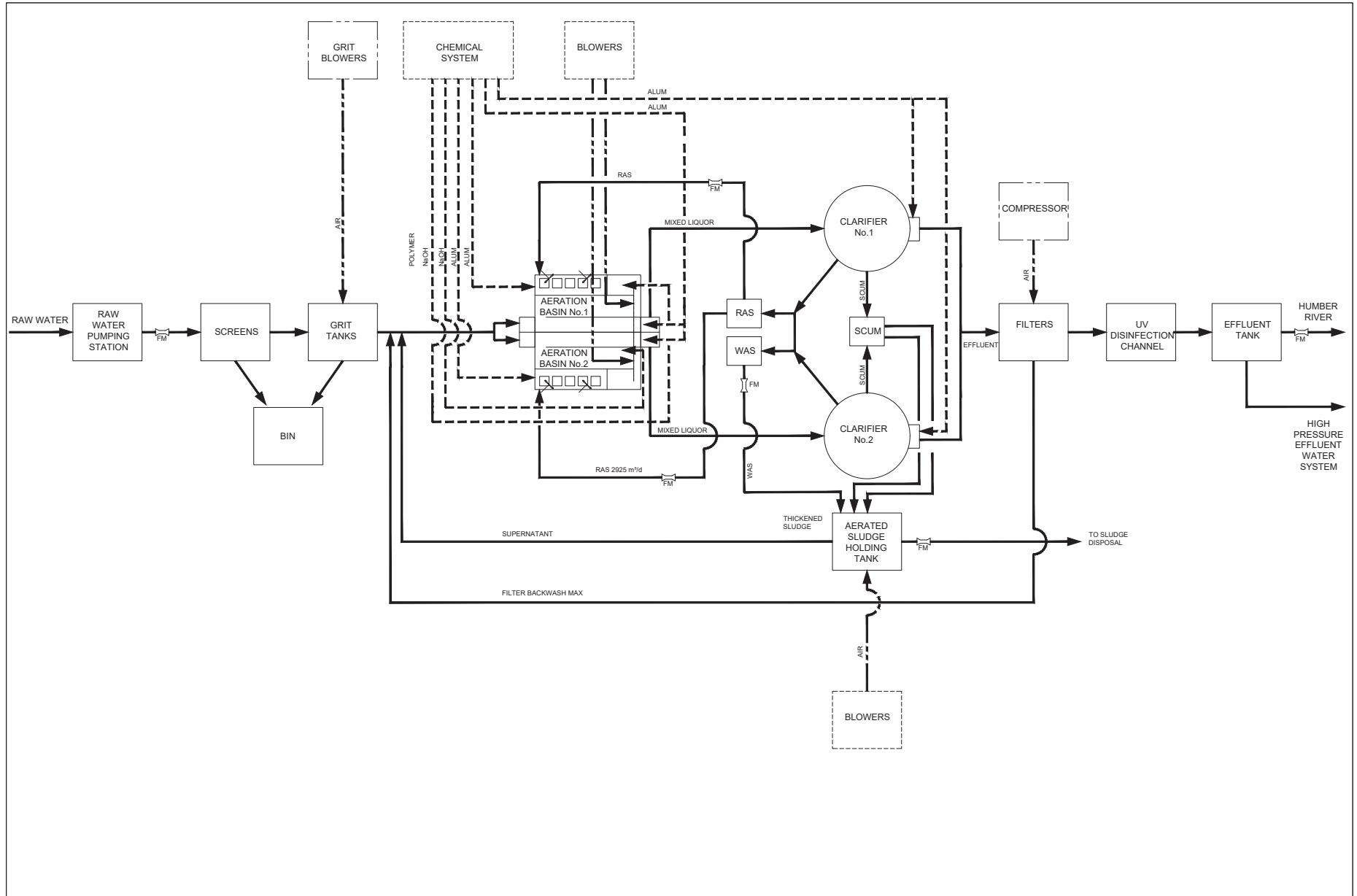
ALL DIMENSIONS AND REQUIREMENTS SHALL BE CHECKED AND CONFIRMED ON THE JOB AND ANY DISCREPANCIES MUST BE REPORTED TO THE CONSULTING ENGINEER IMMEDIATELY. THIS DRAWING AND ALL ASPECTS OF ITS CONTENT ARE PROTECTED BY COPYRIGHT. REPRODUCTION IN WHOLE OR IN PART BY ANY MEANS WITHOUT THE WRITTEN PERMISSION OF BLACK & VEATCH IS STRICTLY PROHIBITED. THE CONSULTING ENGINEER'S RESPONSIBILITY IS LIMITED TO THE DESIGN AND CONSTRUCTION OF THE PROJECT AS SHOWN AND ASSOCIATED THEREWITH BY LAW.



No.	DATE	ISSUES/REVISIONS	BY
1	18/08/21	TM4-CONCEPTUAL DESIGN	BS

DRAWN BY:	CHECKED BY:	NOBLETON SEWAGE WORKS PROJECT WATER POLLUTION CONTROL PLANT	DWG. NO. G101
DESIGNED BY:	APPROVED BY:	GENERAL	
SCALE: 1:50	DATE: JUNE 2021	WATER POLLUTION CONTROL PLANT SITE PLAN	





ALL DIMENSIONS AND INFORMATION SHALL BE CHECKED AND VERIFIED ON THE JOB AND ANY DISCREPANCIES MUST BE REPORTED TO THE CLIENT IMMEDIATELY BEFORE COMMENCING THE WORK. DRAWINGS ARE NOT TO BE SCALE.

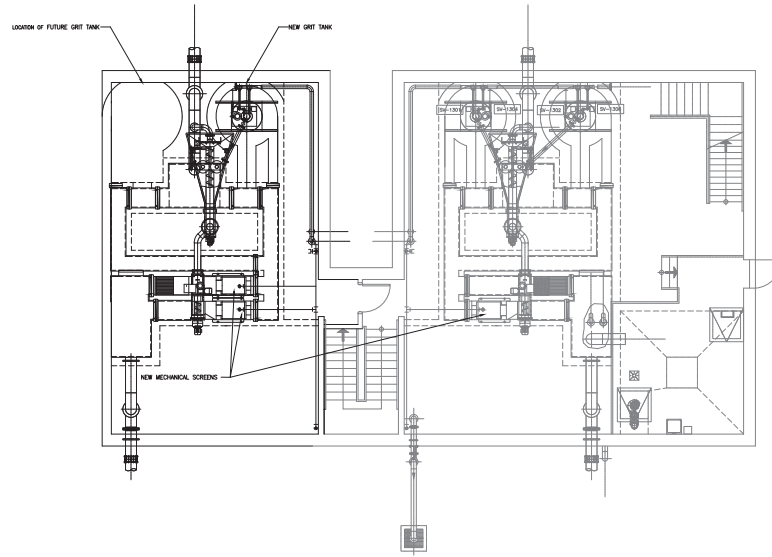
THIS DRAWING AND ALL ASPECTS OF ITS CONTENT ARE PROTECTED BY COPYRIGHT. REPRODUCTION IN WHOLE OR IN PART BY ANY MEANS, WITHOUT THE WRITTEN PERMISSION OF BLACK & VEATCH, IS PROHIBITED. © 2021 BLACK & VEATCH.



No.	DATE	ISSUES/REVISIONS	BY
1	16/06/21	TMA-CONCEPTUAL DESIGN	RS

DRAWN BY:	CHECKED BY:	NOBLETON SEWAGE WORKS PROJECT WATER POLLUTION CONTROL PLANT	DWG. NO. P101
DESIGNED BY:	APPROVED BY:		
SCALE: 1:50	DATE: JUNE 2021		

PROCESS  
PROCESS FLOW DIAGRAM



UPPER FLOOR PLAN

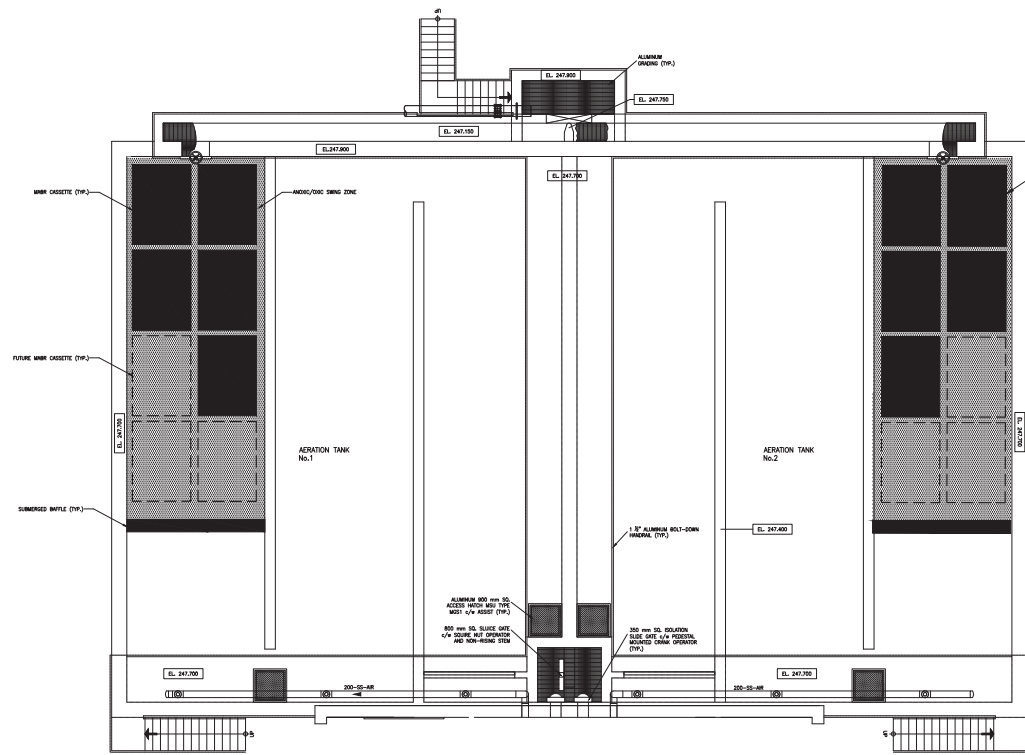
ALL DIMENSIONS AND BEARING TO BE USED AS SHOWN UNLESS OTHERWISE SPECIFIED ON THIS DRAWING AND TO BE CONSIDERED AS THE BASIS FOR CONSTRUCTION. NOT TO BE SCALED.

THE DRAWING AND ALL ASPECTS OF ITS CONTENTS ARE PROTECTED BY COPYRIGHT. REPRODUCTION IN WHOLE OR IN PART BY ANY MEANS, WITHOUT THE EXPRESS WRITTEN PERMISSION OF TOTTENHAM SUBSIDIARIES ASSOCIATES, IS PROHIBITED BY LAW.



No.	DATE	ISSUES/REVISIONS	BY
1	18/08/21	TM4-CONCEPTUAL DESIGN	RS

DRAWN BY:	CHECKED BY:	NOBLETON SEWAGE WORKS PROJECT WATER POLLUTION CONTROL PLANT	DWG. NO. P302
DESIGNED BY:	APPROVED BY:	PROCESS	
SCALE: 1:50	DATE: JUNE 2021	PROCESS BUILDING - INLET WORKS UPPER FLOOR PLAN	



AERATION TANK RETROFIT

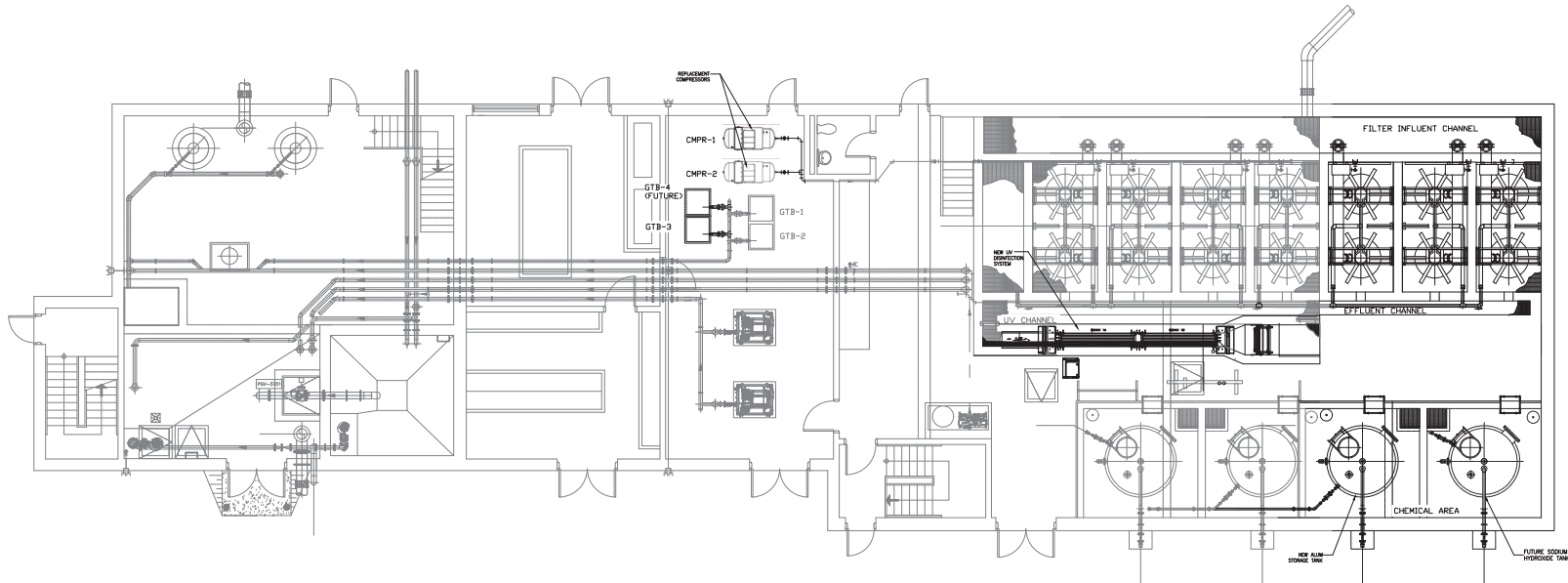
ALL DIMENSIONS AND INFORMATION SHALL BE CHECKED AND VERIFIED ON THE JOB AND ANY DISCREPANCIES MUST BE REPORTED TO THE CONSULTANT PRIOR TO COMMENCING THE WORK. DIMENSIONS ARE NOT TO BE SCALE.

THIS DRAWING AND ALL ASPECTS OF ITS CONTENT ARE PROTECTED BY COPYRIGHT. REPRODUCTION IN WHOLE OR IN PART BY ANY MEANS, WITHOUT THE WRITTEN PERMISSION OF BLACK & VEATCH, IS PROHIBITED AND IS CONSIDERED A VIOLATION OF THE PROFESSIONAL ASSOCIATION'S REGULATIONS.



No.	DATE	ISSUES/REVISIONS	BY
1	18/06/21	TMA-CONCEPTUAL DESIGN	RS

DRAWN BY:	CHECKED BY:	NOBLETON SEWAGE WORKS PROJECT WATER POLLUTION CONTROL PLANT	DWG. NO. P401
DESIGNED BY:	APPROVED BY:		
SCALE:	DATE:		
1:50	JUNE 2021	PROCESS AERATION TANK UPPER LEVEL PLAN	



MAIN FLOOR PLAN

ALL DIMENSIONS AND REFERENCE POINTS TO BE CHECKED AND VERIFIED ON THE JOB AND ANY DISCREPANCIES TO BE CORRECTED IMMEDIATELY. NOT TO SCALE.  
 THIS DRAWING AND ALL ASPECTS OF ITS CONTENTS ARE PROTECTED BY COPYRIGHT. REPRODUCTION IN WHOLE OR IN PART BY ANY MEANS, WITHOUT THE EXPRESS WRITTEN PERMISSION OF TOTTENHAM SUBSIDIARIES & PROHIBITED BY LAW.



No.	DATE	ISSUES/REVISIONS	BY
1	18/08/21	TM4-CONCEPTUAL DESIGN	RS

DRAWN BY:	CHECKED BY:	NOBLETON SEWAGE WORKS PROJECT WATER POLLUTION CONTROL PLANT	DWG. NO. P305
DESIGNED BY:	APPROVED BY:	PROCESS	
SCALE: 1:50	DATE: JUNE 2021	PROCESS BUILDING - FILTERS MAIN FLOOR PLAN	